

DESCRIPTION

The MS3769 is a slim, plug-in absolute value signal conditioner that converts DC current or voltage signals with polarity into absolute value signals and provides isolated single or dual output.

ORDERING CODE

MS3769 - -

Model _____

Power Supply _____
A: 100 to 240V AC (50 to 60Hz)
D: 24V DC **P:** 100 to 240V DC

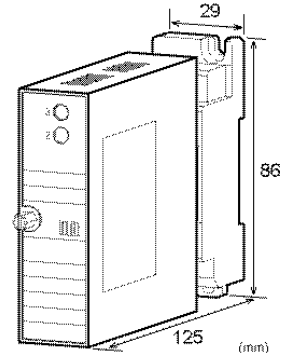
Input _____
D: ABS 0 to 20mA DC **3:** ABS 0 to 1V DC
Z: Other DC current signal **4:** ABS 0 to 10V DC
 5: ABS 0 to 5V DC
 0: Other DC voltage signal

Output 1 _____
A: 4 to 20mA DC **1:** 0 to 10mV DC
D: 0 to 20mA DC **2:** 0 to 100mV DC
Z: Other DC current signal **3:** 0 to 1V DC
 4: 0 to 10V DC
 5: 0 to 5V DC
 6: 1 to 5V DC
 0: Other DC voltage signal

Output 2 _____
No code: None
The codes are the same as for Output 1.

Note 1: When a voltage output is selected for Output 1, a current output cannot be selected for Output 2.
Note 2: When the code A (4 to 20mA) is selected for both of the two outputs, the output load will be 550Ω maximum for Output 1 and 350Ω maximum for Output 2.

Options _____
No code: None
/K: Fast response (0 to 90% response time: 10ms max.)
/X: Others (Special order)
* For non-standard options, ask MTT for availability.


ORDERING INFORMATION

To place an order, please use the ordering code format as shown on the left.
(e.g.) MS3769-A-DA6

Other Ordering Examples:
For an input code of "Z": MS3769-A-ZAA (Input: 0 to 10mA)
For an output code of "0": MS3769-A-D60 (Output: 2 to 5V)
For an option code of "X": MS3769-A-56/X (0-90% response time: 5ms max.)
Note: If you wish to include multiple options in your order, specify the option codes in series (e.g. /KX).

SPECIFICATIONS
POWER SECTION

Power Requirements	100 to 240V AC: 85 to 264V AC (47 to 63Hz) 24V DC: 24V DC±10% 100 to 240V DC: 85 to 264V DC		
Power Sensitivity	Better than ±0.1% of span for each power supply range.		
Power Line Fuse	160mA fuse is installed (standard).		
Power Consumption			
Power	100-240V AC	24V DC	100-240V DC
Single Output	4.0VA max	1.5W max	2.5W max
Dual Output	5.0VA max	2.0W max	3.0W max

INPUT SECTION

Input Resistance		
Voltage Input (DC)	With or without power: 1MΩ min.	
Current Input (DC)	0 to 20mA	250Ω
Allowable Input Voltage		
Voltage Input Model	30V DC max., continuous. (Standard for a span up to 10V)	
Current Input Model	40mA DC max., continuous. (0 to 20mA)	
Ranges Available		
	Current Signal	Voltage Signal
Input Range (DC)	-100 to 100mA	-300 to 300V
Input Span (DC)	100μA to 200mA	200mV to 600V
Note: An input of 0mA or 0V corresponds to 0%.		

● **OUTPUT SECTION**

Maximum Output Load		
Voltage Output (DC)	1V span and up 10mV 100mV	2mA max. 10kΩ min. 100kΩ min.
Current Output (DC)	4-20mA single output 4-20mA dual output	750Ω max. Output 1: 550Ω max. Output 2: 350Ω max.
Zero Adjustment	Approx. ±5% of span. (Adjustable by the front-accessible trimmer.)	
Span Adjustment	Approx. ±5% of span. (Adjustable by the front-accessible trimmer.)	
Ranges Available		
	Current Signal	Voltage Signal
Output Range (DC)	0 to 20mA	-10 to 10V
Output Span (DC)	4 to 20mA	10mV to 20V
Output Bias	0 to 100%	-100 to 100%
* For current output signals, the accuracy of any current output smaller than 0.1mA is not guaranteed.		
Output Spec. Ex. 1: For 4 to 20mA output, the output span is 16mA and the bias +25%.		
Output Spec. Ex. 2: For -1 to 4V output, the output span is 5V and the bias -20%.		

● **PERFORMANCE**

Accuracy Rating	Better than ±0.1% of span (at 25°C±5°C).
Temperature Effect	Better than ±0.2% of span per 10°C change in ambient.
Response Time	85ms max. (0 to 90%) with a step input at 100%.
CMRR	100dB min. (500V AC, 50/60Hz)
Isolation	Isolation between input, output [Output 1, Output 2], power, and ground.
Insulation Resistance	100MΩ min. (@ 500V DC) between input, output [Output 1, Output 2], power, and ground.
Dielectric Strength	Input / Output [Output 1, Output 2] / [Power, Ground]: 2000V AC for 1 minute (Cutoff current: 0.5mA) Power / Ground: 2000V AC for 1 minute (Cutoff current: 5mA) Output 1 / Output 2: 500V AC for 1 minute (Cutoff current: 0.5mA)
Surge Withstand Capability	Tested as per ANSI/IEEE C37.90.1-1989.
Operating Environment	Ambient temperature: -5 to 55°C Humidity: 5 to 90% RH (non-condensing)
Storage Temperature	-10 to 60°C

● **PHYSICAL**

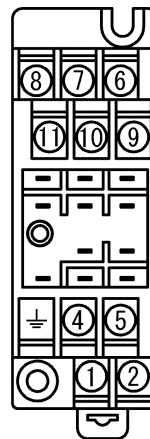
Installation	Wall/DIN rail mounting
Wiring	M3.5 screw terminal connection (with a power terminal block cover & drop-proof screws)
Screwing Torque	0.8 to 1.0 [Nm] * Recommended
External Dimensions	W29 × H86 × D125mm (including the mounting screw and socket)
Weight	Main unit: 120g max. Socket: 80g max.

● **MATERIALS**

Housing	ABS resin (UL 94V-0)
Terminal Block	PBT resin (UL 94V-0)
Terminal Block Cover	PC resin (UL 94V-2)
DIN Rail Stopper	PP resin (UL 94HB)
Screw Terminal	Nickel-plated steel
Contacts Material and Finish	Brass with 0.2μm gold plating
Printed Circuit Board	Glass fabric epoxy resin (FR-4: UL 94V-0)
Conformal Coating	HumiSeal® 1A27NSLU (Polyurethane)

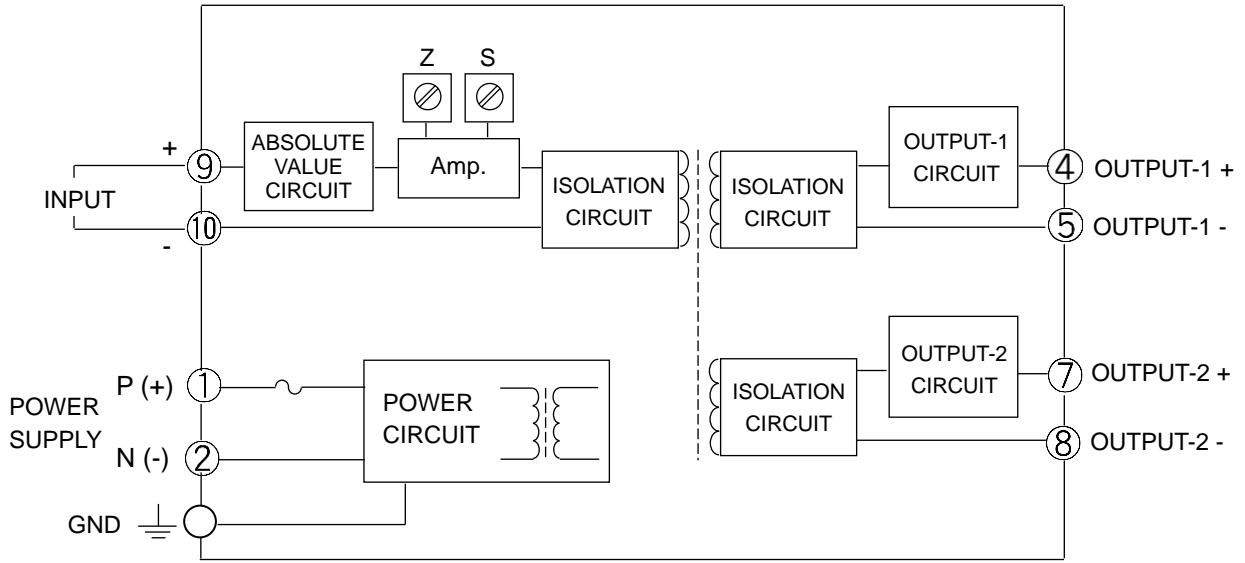
* HumiSeal® is a registered trademark of Chase Corporation.

TERMINAL ASSIGNMENT



①	P (+)	POWER
②	N (-)	
⊥	GND	
④	+ OUTPUT 1	
⑤	- OUTPUT 1	
⑥	N.C.	
⑦	+ OUTPUT 2	
⑧	- OUTPUT 2	
⑨	+ INPUT	
⑩	- INPUT	
⑪	N.C.	

BLOCK DIAGRAM



INPUT/OUTPUT CHARACTERISTICS

Input: ABS 0 to 10V
 Output: 0 to 10V

