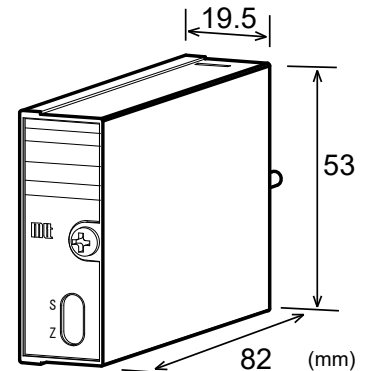


**Chassis-Mount Filter Unit with Single Output
(Non-Isolation between Input and Output)**
DESCRIPTION

The MS3919 is a chassis-mount filter unit that filters voltage input signals with preset filter characteristics and provides a single output. The unit has no isolation between input and output.

- ▽ A multi-slot chassis provides ease of maintenance and high-density mounting.
- ▽ Input and output circuits are isolated from the power circuit.
- ▽ Equipped with a fuse on the DC power line as standard.


ORDERING INFORMATION

Ordering Code
MS3919-1□(□□□)_
[1] [2] [3]

SPECIFICATIONS
POWER SECTION

Power Requirement	24V DC±10%
Power Sensitivity	Better than ±0.1% of span per 10% change in supply voltage
Power Line Fuse	160mA fuse
Current Consumption	25mA max. at 24V DC

INPUT SECTION

Input	±10V DC
Input Resistance	1MΩ min. with or without power
Allowable Input Voltage	30V DC max., continuous.

OUTPUT SECTION

Output	±10V DC
Allowable Output Load	2mA max.
Zero Adjustment	Approx. ±2% of span (Adjustable by front-accessible trimmer)
Span Adjustment	Approx. ±2% of span (Adjustable by front-accessible trimmer)

ADDITIONAL

Option [3]	■ Polyurethane conformal coating ··· /H
------------	---

PERFORMANCE

Accuracy Rating	Better than ±0.1% of span (at 25°C±5°C)
Temperature Effect	Better than ±0.2% of span per 10°C change in ambient.
Filter Characteristics (Specify a code in the field [1].)	Low pass filter function (Butterworth) ■ 2nd-order filter2 ■ 4th-order filter.....4 ■ 8th-order filter.....8
Cutoff Frequency (Specify freq. in the field [2].)	Specify a cutoff frequency between 10 and 10kHz.
Cutoff Frequency Tolerance	±10% (at -3dB)
Passband Ripple	±0.5dB
CMRR	100dB min. (500V AC, 50/60Hz)
Isolation	Isolation between [input, output] and power.
Insulation Resistance	100MΩ min. (@ 500V DC) between [input, output] and power.
Dielectric Strength	[Input, Output] / Power: 500V AC for 1 minute (Cutoff current: 0.5mA)
Operating Environment	Ambient temperature: 0 to 55°C Humidity: 5 to 90% RH (non-condensing)
Storage Temperature	-10 to 60°C

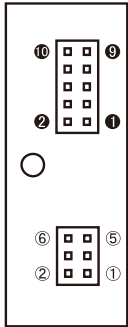
PHYSICAL

Installation	Mounted in an optional chassis (RC3900A-□□AI or RS3900-01TB).
Wiring	Wired to an optional chassis (RC3900A-□□AI or RS3900-01TB).
External Dimensions	W19.5 × H53 × D82 mm
Weight	60g max.

MATERIAL

Housing	ABS resin
PC Board	Glass fabric, epoxy resin (FR-4: UL 94V-0)

PIN ASSIGNMENTS



PIN	SIGNAL	PIN	SIGNAL
①	+ INPUT	①	+ OUTPUT 1
②	- INPUT	②	- OUTPUT 1
③	N. C.	③	N. C.
④	N. C.	④	N. C.
⑤	N. C.	⑤	+ POWER DC24V
⑥	N. C.	⑥	- POWER DC24V
		⑦	N. C.
		⑧	N. C.
		⑨	F. G.
		⑩	N. C.

BLOCK DIAGRAM

