

DESCRIPTION

The MS3773 is a slim, plug-in programmable millivolt isolator that converts DC mV signals from sensors into standard process signals and provides isolated single or dual output. The input and/or output settings of the unit can be easily configured using configuration software running on a personal computer.

ORDERING CODE

MS3773 - -

Model _____

Power Supply _____

A: 100 to 240V AC (50 to 60Hz)
D: 24V DC **P:** 100 to 240V DC

Input Range (Measuring Input Range) _____

1: 20mV (Refer to the table on the right.)
2: 40mV (Refer to the table on the right.)
3: 80mV (Refer to the table on the right.)
4: 160mV (Refer to the table on the right.)
5: 320mV (Refer to the table on the right.)
6: 640mV (Refer to the table on the right.)
7: 1V (Refer to the table on the right.)
8: 2V (Refer to the table on the right.)

* Linearization based on 6th-order polynomials can be optionally configured by configuration software.

Output _____

Single Output Model

A: 4 to 20mA DC *1
4: 0 to 10V DC *2
5: 0 to 5V DC *2
6: 1 to 5V DC *2

Dual Output Model

A1: 4 to 20mA DC / 1 to 5V DC *1
A2: 4 to 20mA DC / 4 to 20mA DC *1
4W: 0 to 10V DC / 0 to 10V DC *2
5W: 0 to 5V DC / 0 to 5V DC *2
6W: 1 to 5V DC / 1 to 5V DC *2

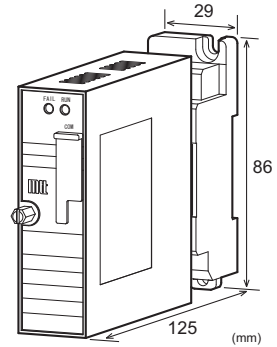
*1: Fixed output(s). The output range cannot be changed.
 *2: The output range can be changed.

Options _____

No code: None
 (Downscale burnout protection will apply if no option is specified.)

/U: Upscale burnout protection
/D: Downscale burnout protection
/L: Dual current output with high output load
 (OUT-1: 750Ω / OUT-2: 550Ω)
/X: Others (Special order)

* For non-standard options, ask MTT for availability.


ORDERING INFORMATION

To place an order, please use the ordering code format as shown on the left. Also specify a measuring input range.
 (e.g.) MS3773-A-5A1 (Measuring input range: 0 to 200mV)

* Note that the measuring input range should be specified within the requirements listed below.

Input Range Code	Code shown on Configuration Window	Maximum Measuring Range	Specifiable Span	
			Min.	Max.
1	Input Range 20mV	±9mV	5mV	18mV
2	Input Range 40mV	±18mV	19mV	36mV
3	Input Range 80mV	±36mV	37mV	72mV
4	Input Range 160mV	±72mV	73mV	144mV
5	Input Range 320mV	±144mV	145mV	288mV
6	Input Range 640mV	±288mV	289mV	576mV
7	Input Range 1.28V	±499mV	577mV	999mV
8	Input Range 2.56V	±1V	1V	2V

SPECIFICATIONS
POWER SECTION

Power Requirements	100 to 240V AC: 85 to 264V AC (47 to 63Hz) 24V DC: 24V DC±10% 100 to 240V DC: 85 to 264V DC
Power Sensitivity	Better than ±0.1% of span for each power supply range.
Power Line Fuse	160mA fuse is installed (standard).
Power Consumption	
Power	100-240V AC 24V DC 100-240V DC
Single Output	5.0VA max 1.1W max 4.8W max
Dual Output	5.0VA max 1.5W max 6.0W max

INPUT SECTION

Input Resistance	1MΩ min. (Without power: 1MΩ at rated input)
Burnout Protection	Selectable from upscale, downscale and no burnout protection. (Detection current: Approx. 55nA)
Burnout Drive Time	80s max. 160s max. for 1V range 480s max. for 2V range
Allowable Input Voltage	25V DC, continuous.
Factory Default Settings	The factory default settings are as follows: Input range code: 5 Measuring input range: 0 to 100mV Burnout protection: Downscale

OUTPUT SECTION

Allowable Output Load	
Voltage Output (DC)	2mA max.
Current Output (DC)	4-20mA single output 750Ω max. 4-20mA dual output Output 1: 550Ω max. Output 2: 350Ω max.
Zero Adjustment	Approx. ±4% of span. (Adjustable by PC via RS-232C.)
Span Adjustment	Approx. ±4% of span. (Adjustable by PC via RS-232C.)
Factory Default Settings	The factory default settings for voltage output model are as follows: Single output model: Output code: 6 (1 to 5V DC) Dual output model: Output code: 6W (1 to 5V DC / 1 to 5V DC)

SOFTWARE CONFIGURATION PARAMETERS

Configurable Parameters	- Coefficient setting function (6-order polynomial) - ADC range (Input range) - Measuring input range - Burnout protection - Output range - PAUSE status - Zero/Span adjustment (Approx. ±4% of span) (All of the above are configurable by PC via RS-232C.)
-------------------------	---

PERFORMANCE

Accuracy Rating (Input accuracy + Output accuracy)	
Input Accuracy	Range / Span × 0.02% (excluding a linearity error)
Output Accuracy	±0.04% max.
Temperature Effect	100ppm/°C max.
Response Time	260ms max. (0 to 90%) with a step input at 100%.
CMRR	100dB min. (500V AC, 50/60Hz)
Isolation	4-way isolation between input, output [Output 1/Output 2], power, and ground.
Insulation Resistance	100MΩ min. (@ 500V DC) between input, output [Output 1/Output 2], power, and ground.

Dielectric Strength	[Input, RS-232C Port] / Output [Output 1/Output 2] / [Power, Ground]: 2000V AC for 1 minute (Cutoff current: 0.5mA) Power / Ground: 2000V AC for 1 minute (Cutoff current: 5mA) Output 1 / Output 2: 500V AC for 1 minute (Cutoff current: 0.5mA) Input / RS-232C Port: 50V DC for 1 minute (Cutoff current: 1.0mA)
Surge Withstand Capability	Tested as per ANSI/IEEE C37.90.1-1989
Operating Environment	Ambient temperature: -5 to 55°C Humidity: 5 to 90% RH (non-condensing)
Storage Temperature	-10 to 60°C

PHYSICAL

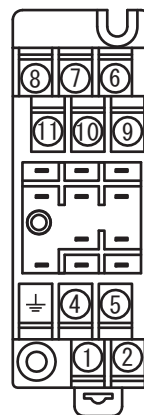
Installation	Wall/DIN rail mounting
Wiring	M3.5 screw terminal connection (with a power terminal block cover & drop-out prevention screws)
Screwing Torque	0.8 to 1.0 [Nm] * Recommended
External Dimensions	W29 × H86 × D125mm (including the mounting screw and socket)
Weight	Main unit: 120g max. Socket: 80g max.

MATERIALS

Housing	ABS resin (UL 94V-0)
Terminal Block	PBT resin (UL 94V-0)
Terminal Block Cover	PC resin (UL 94V-2)
DIN Rail Stopper	PP resin (UL 94HB)
Screw Terminal	Nickel-plated steel
Contacts Material and Finish	Brass with 0.2μm gold plating
Printed Circuit Board	Glass fabric epoxy resin (FR-4: UL 94V-0)
Anti-Humidity Coating	HumiSeal® 1A27NS (Polyurethane)

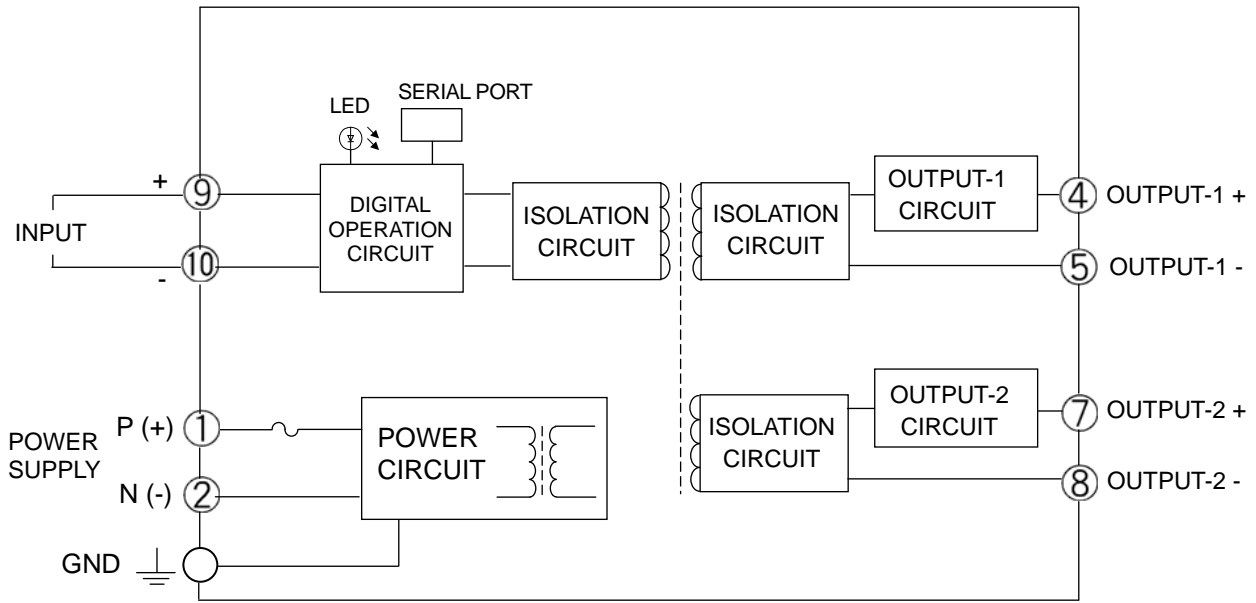
* HumiSeal® is a registered trademark of Chase Corporation.

TERMINAL ASSIGNMENT

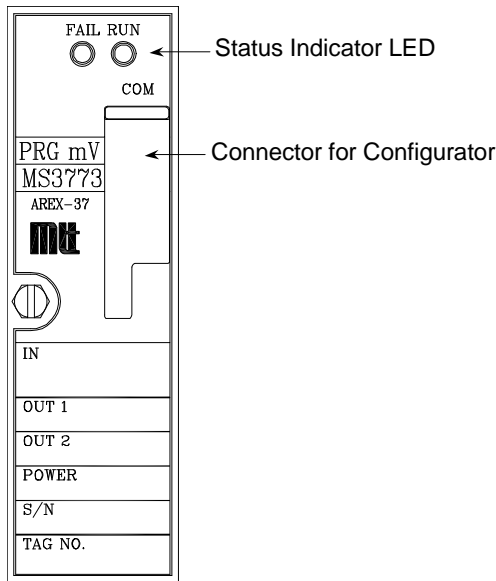


①	P (+)	POWER
②	N (-)	
③	GND	
④	+ OUTPUT 1	
⑤	- OUTPUT 1	
⑥	N.C.	
⑦	+ OUTPUT 2	
⑧	- OUTPUT 2	
⑨	+ INPUT	
⑩	- INPUT	
⑪	N.C.	

BLOCK DIAGRAM



FRONT VIEW



CONNECTOR

COM (CONNECTOR FOR CONFIGURATOR)

The COM port is used to connect the transmitter to a personal computer through serial communication (RS-232C).

An optional communication cable, MTT's MS-CBL01 (with a 9-pin D-subminiature female connector for PC connection) is required for the connection.

If the USB port is used, it is recommended that a USB conversion adapter, REX-USB60F (made by RATO Systems) be used with the MS-CBL01.

Connector Pin Assignment

Pin No.	Signal Name
1	DVdd
2	SHDN
3	N.C.
4	N.C.
5	TX
6	RX
7	ISOCOM
8	ISOCOM

LED STATUS INDICATOR

● INDICATOR PATTERNS

Module Status	Description	LED		Remarks
		Blue (RUN)	Red (FAIL)	
INIT		●	●	
RUN		●	-	
PAUSE	Common to all commands	◎	-	Blink pattern: ●●●●○○○○
ERROR	ADC error	-	◎	Blink pattern: ●●●●○○○○●○
	DA output error	-	◎	Blink pattern: ●●●●○○○○●●●○
	Burnout	-	◎	Blink pattern: ●●●●○○○○●●●○●○
	Power error	-	◎	Blink pattern: ●●●●○○○○
HALT	WDT	-	●	May fail to turn ON.
	Memory	-	●	May fail to turn ON.
	Power error	-	●	May fail to turn ON.

Notes:

1. OFF: - or ○, ON: ●, Blink: ◎
2. Each of the circle symbols (○, ●) shown in the Remarks column indicates a duration of 0.25s.